

DATA MASTER

One device many options..

Features of Data Master:

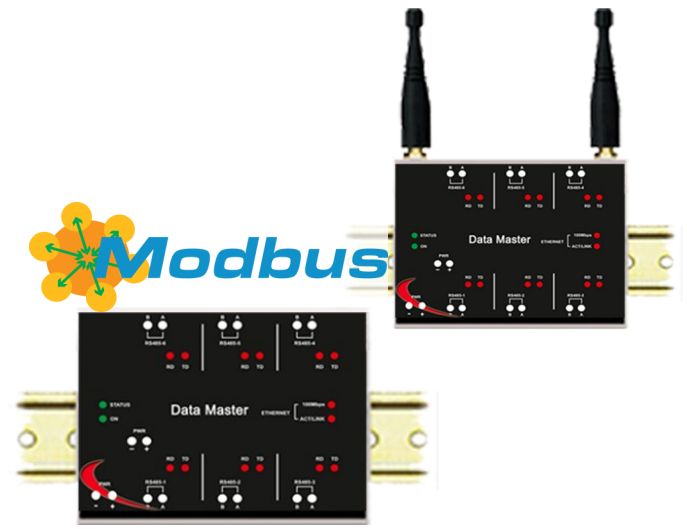
- Energy Metering / Gas Metering / Water Metering Projects
- Instruments like Flow Meters / Pressure / Temp on Modbus Serial Communication.
- Analyzer House Communications with SCADA

Data Master is a Multi Purpose Modbus Data Management Device which makes several combinations possible in communicating with single / multiple modbus devices.

- Serial Modbus Master to Master Communication
- Serial Modbus Master to Slave Communication
- Serial Modbus Slave to Slave communication
- Modbus TCP to Modbus Serial (Master / Slave) communication
- Multiple Port Server for application to support

Configuration Management:

Working with Modbus devices made Easier with simple clicks to add the required commands to the devices. Data Master provides both basic and advanced communication parameters. Serial device ID, Initial Delay Time Adjustment, and Character/Message Timeouts are adjustable using the Windows utility. Field Engineers can easily understand the command processing and troubleshoot the ports with monitoring .



Modbus Master:

A port configured as a Modbus Master actively issues Modbus commands to other nodes on the Modbus network.

⇒ Command list:

Up to 100 command per Master port, each fully configurable for function, slave address, register to/from addressing and word/bit count.

⇒ Polling of command:

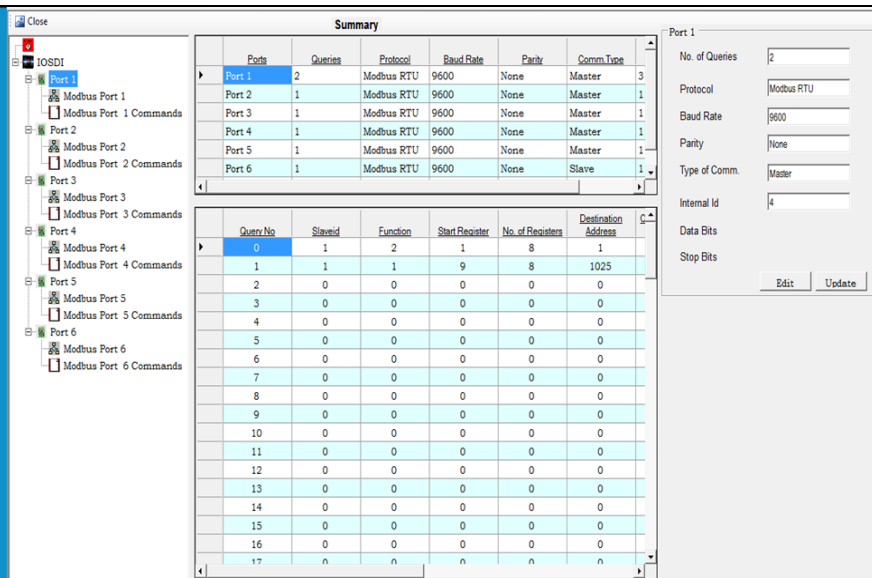
Configurable polling of command list, including continuous and on change of state.

⇒ Status Data:

Error codes available on an individual command basis. A slave status list is maintained per active Modbus Master port.

Modbus Slave:

A port configured as a Modbus Slave acts as a node and permits a remote Master to interact with all data contained in the module.



Flexible Command Configuration Tool:

- Configure upto 100 Modbus Commands per port.
- Monitor Each command with Successful Communication.
- Port Monitoring Diagnostics
- Every Port can be Master / Slave
- Flexible to meet your project demands.
- Optional Wireless Features.
- Backup of the configuration data.
- Bulk Upload and Download features and Editable through Excel.

⇒ Node Address:

1 to 247 (software selectable) .

⇒ Status Data:

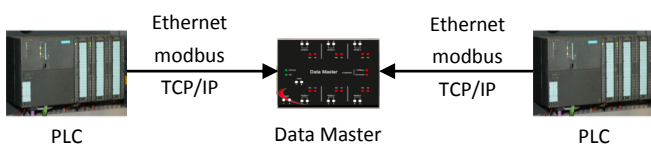
Error codes, counters and port status available per configured slave port .

Hardware Specifications:

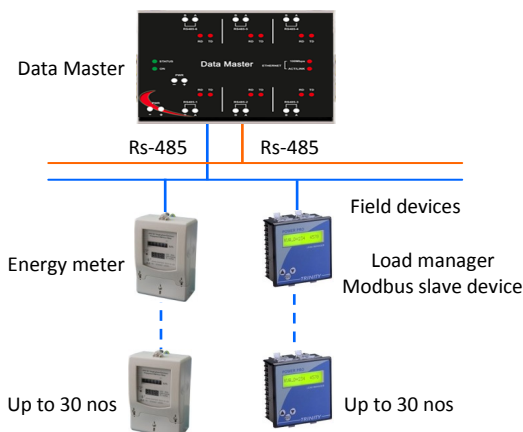
Specification:	Description:
Dimensions	75 X 100 X110
Current load	500 mA max @ 5VDC
Operating Temp.	32° F to 140° F (0° C to 60°C)
Storage Temp.	-40° F to 185° F (-40° C to 85° C)
Relative Humidity	5% to 95% (with no condensation)
Debug Port / Master Port Configuration Port	10/100 Ethernet Port (auto-negotiating)
LED Indicators (With Respective Model)	OK - Module Status ETH - Ethernet Communication Port1 Tx / Rx - Port 1 Serial Com. Port2 Tx / Rx - Port 2 Serial Com. Port3 Tx / Rx - Port 3 Serial Com. Port4 Tx / Rx - Port 4 Serial Com. Port5 Tx / Rx - Port 5 Serial Com. Port6 Tx / Rx - Port 6 Serial Com.

Data Master Applications:

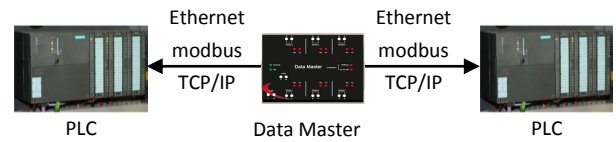
App#1 : Master - Master Communication:



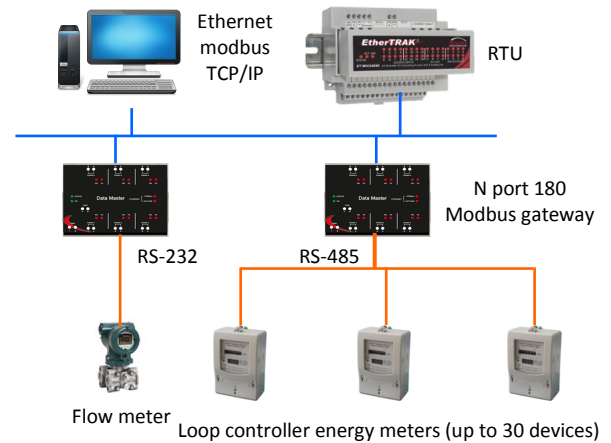
App#2 : Master - Slave Communication:



App#3 : Slave - Slave Communication:



App#4 : Modbus TCP - Serial Comm. :



Modbus Function Table:

- 1: Read Coil Status
- 2: Read Input Status
- 3: Read Holding Registers
- 4: Read Input Registers
- 5: Force (Write) Single Coil
- 6: Preset (Write) Single Holding Register
- 8: Diagnostics (Slave Only, Responds to Sub function 00)
- 15: Force (Write) Multiple Coils
- 16: Preset (Write) Multiple Holding Registers
- 17: Report Slave ID (Slave Only)
- 22: Mask Write Holding Register (Slave Only)
- 23: Read/Write Holding Registers (Slave Only)

Total Automation Solutions



M/s TAS India Pvt Ltd
Address: Block 4A, Office no.3, SEZ,
SP Infocity, Phuntsungi, Pune-08.

Ph. No: 020-26980089,
Email: info@tasind.com,
website : www.tasind.com